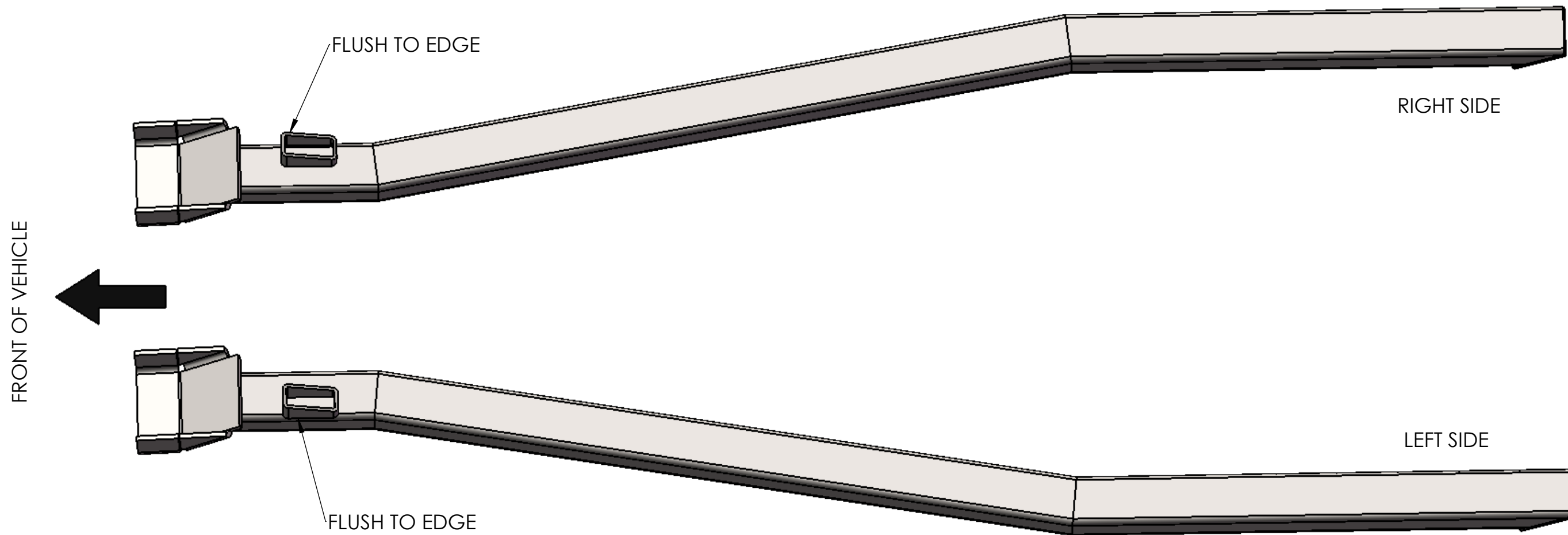


ITEM NUMBER	PART NUMBER	DESCRIPTION	MATERIAL
1	ACC-1827 ACC-1828	1967+ REBEL, REBEL MACHINE & MATADOR SUBFRAME CONNECTOR	MILD STEEL



DIMENSIONS ARE IN INCHES  
TOLERANCES:  
X.XX: ±0.01  
X.XXX: ±0.005  
(UNLESS OTHERWISE SPECIFIED)

	NAME	DATE
EGN.	M.W.	11/07/16
CHK.		
A.K.		
REV.		
REV.		
REV.		

**control freak**  
**suspensions™**

1101 Oak Lane, Suite 1031  
Winter Springs, FL 32708  
(888)-325-6462

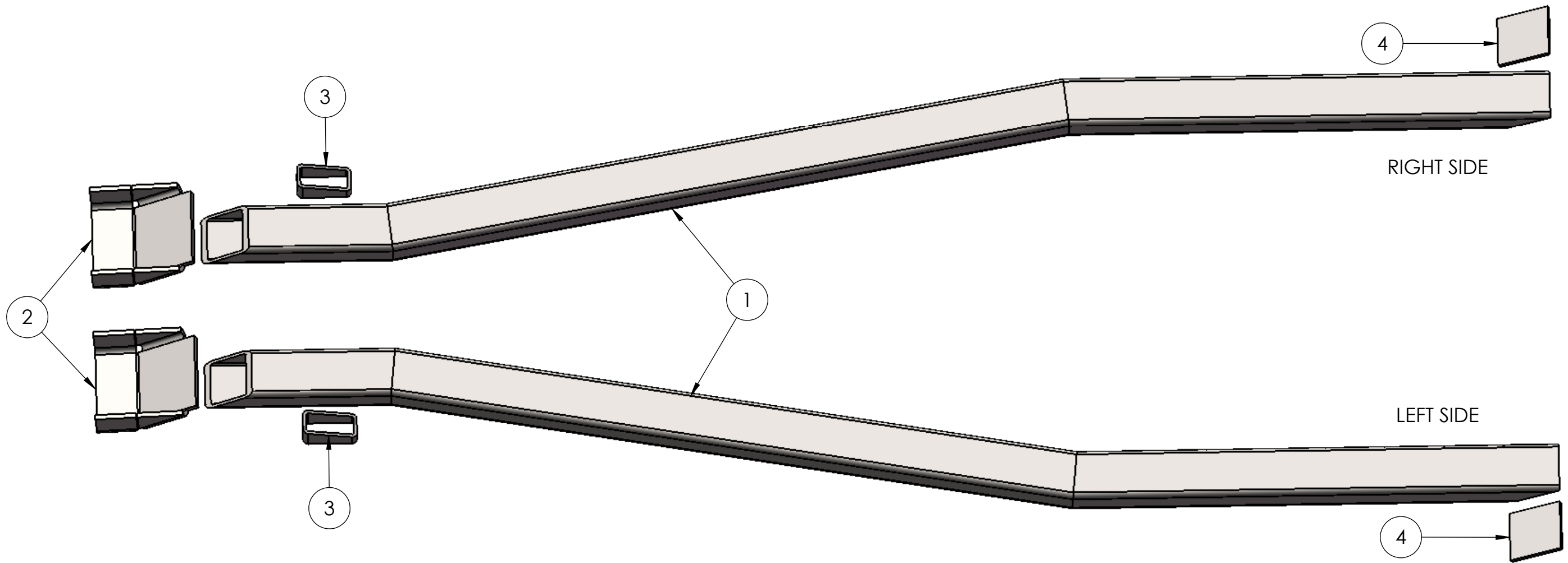
SCALE: 1:4

SHEET: 1 OF 2

**PROPRIETARY AND CONFIDENTIAL**  
THE INFORMATION CONTAINED IN THIS DRAWING IS THE SOLE PROPERTY OF BLUE MOON SERVICES, L.L.C. D/B/A CONTROL FREAK SUSPENSIONS. ANY REPRODUCTION IN PART OR AS A WHOLE WITHOUT THE WRITTEN PERMISSION OF BLUE MOON SERVICES, L.L.C IS PROHIBITED.

COMMENTS:

ITEM	PART NUMBER	DESCRIPTION	QUANTITY
1	ACC-1839	MAIN TUBE	2
2	ACC-1801	FRONT BRACKET	2
3	ACC-1837	SPACER	2
4	ACC-1838	END CAP	2



DIMENSIONS ARE IN INCHES  
TOLERANCES:  
X.XX: ±0.01  
X.XXX: ±0.005  
(UNLESS OTHERWISE SPECIFIED)

	NAME	DATE
EGN.	M.W.	11/07/16
CHK.		
A.K.		
REV.		
REV.		
REV.		

**control freak**  
**suspensions™**

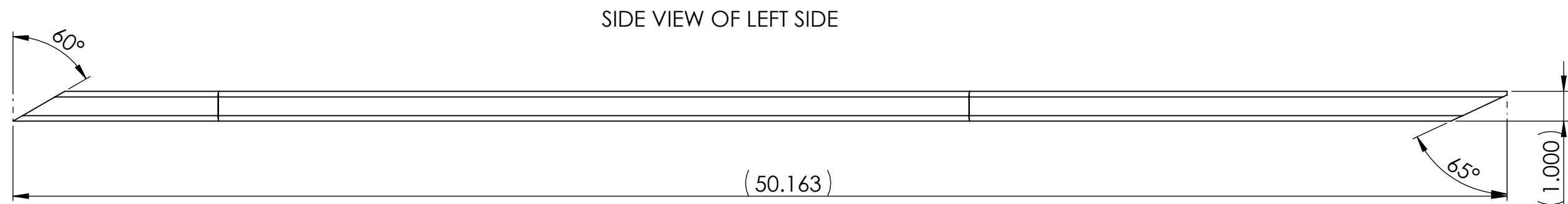
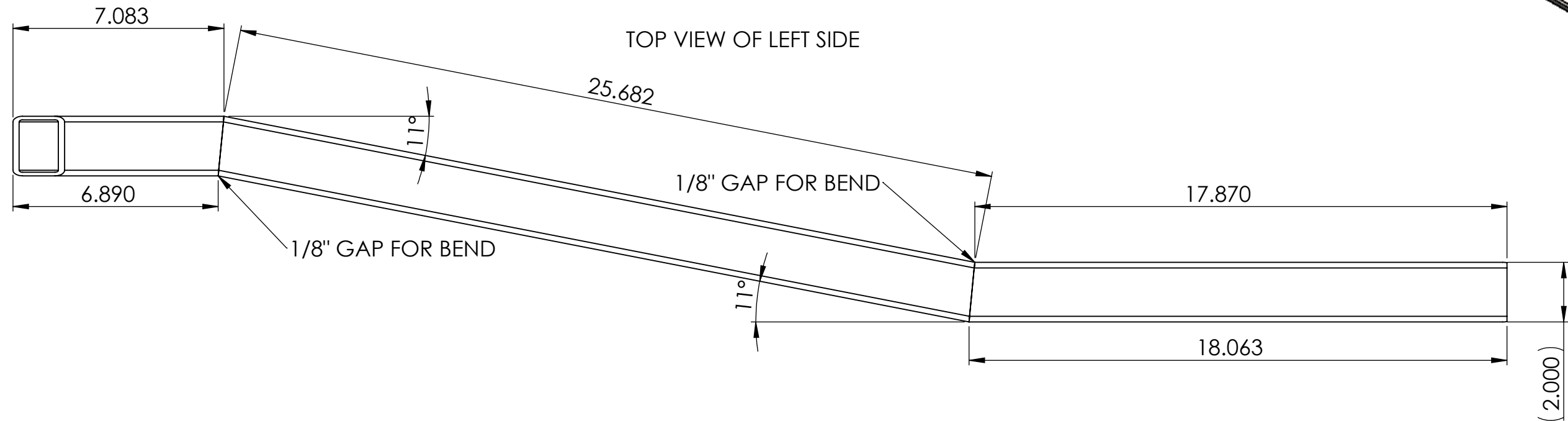
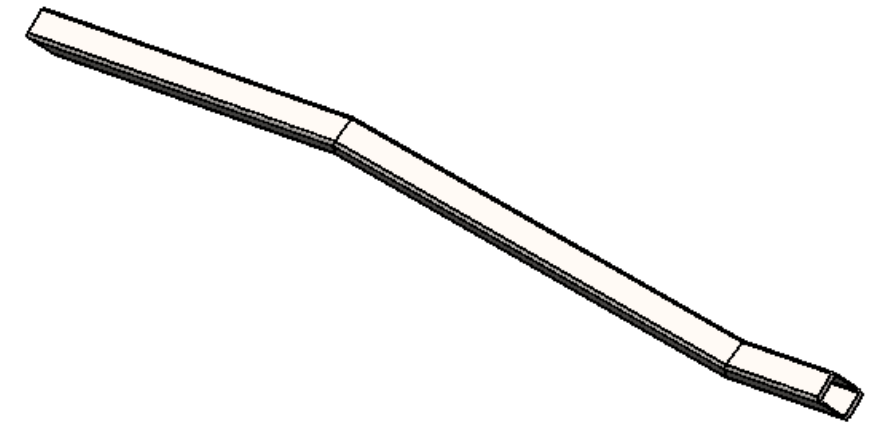
1101 Oak Lane, Suite 1031  
Winter Springs, FL 32708  
(888)-325-6462

SCALE: 1:4      SHEET: 2 OF 2

**PROPRIETARY AND CONFIDENTIAL**  
THE INFORMATION CONTAINED IN THIS DRAWING IS THE SOLE PROPERTY OF BLUE MOON SERVICES, L.L.C. D/B/A CONTROL FREAK SUSPENSIONS. ANY REPRODUCTION IN PART OR AS A WHOLE WITHOUT THE WRITTEN PERMISSION OF BLUE MOON SERVICES, L.L.C IS PROHIBITED.

COMMENTS:

ITEM NUMBER	PART NUMBER	DESCRIPTION	MATERIAL
1	ACC-1839	1970 REBEL REBEL MACHINE & MATADOR SUB FRAME CONNECTOR - MAIN TUBE LEFT	2 x 1 x 0.12" REC. TUBE CL: 51"



DIMENSIONS ARE IN INCHES  
TOLERANCES:  
X.XX: ±0.01  
X.XXX: ±0.005  
(UNLESS OTHERWISE SPECIFIED)

	NAME	DATE
EGN.	M.W.	11/07/16
CHK.		
A.K.		
REV.		
REV.		
REV.		

**control freak**  
**suspensions™**

1101 Oak Lane, Suite 1031  
Winter Springs, FL 32708  
(888)-325-6462

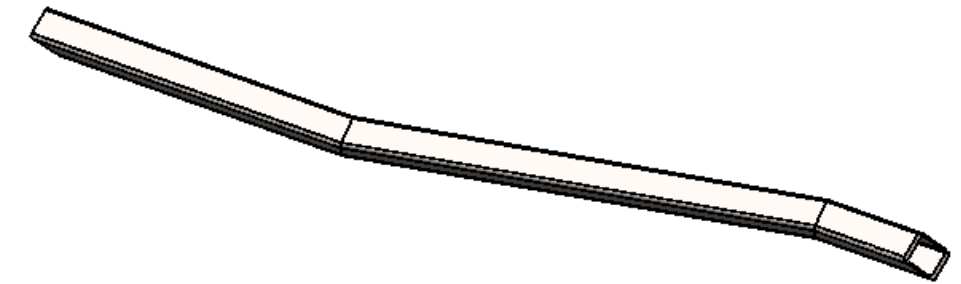
SCALE: 1:4

SHEET: 1 OF 2

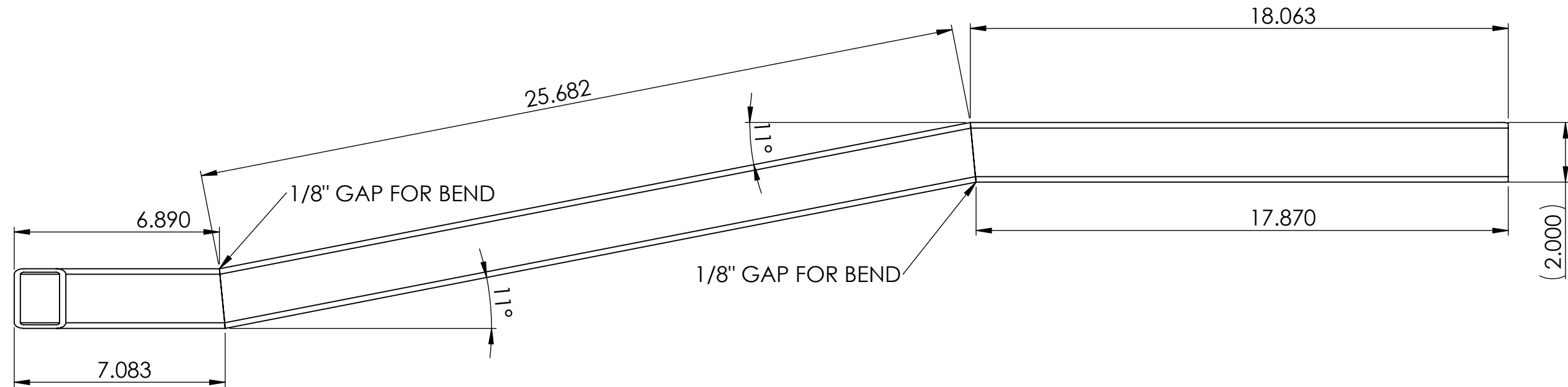
**PROPRIETARY AND CONFIDENTIAL**  
THE INFORMATION CONTAINED IN THIS DRAWING IS THE SOLE PROPERTY OF BLUE MOON SERVICES, L.L.C. D/B/A CONTROL FREAK SUSPENSIONS. ANY REPRODUCTION IN PART OR AS A WHOLE WITHOUT THE WRITTEN PERMISSION OF BLUE MOON SERVICES, L.L.C IS PROHIBITED.

COMMENTS:

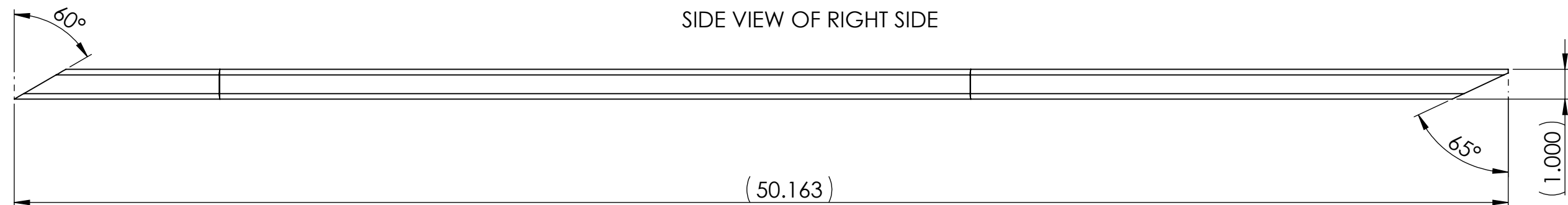
ITEM NUMBER	PART NUMBER	DESCRIPTION	MATERIAL
1	ACC-1839	1970 REBEL REBEL MACHINE & MATADOR SUB FRAME CONNECTOR - MAIN TUBE RIGHT	2 x 1 x 0.12" REC. TUBE CL: 51"



TOP VIEW OF RIGHT SIDE



SIDE VIEW OF RIGHT SIDE



DIMENSIONS ARE IN INCHES  
TOLERANCES:  
X.XX: ±0.01  
X.XXX: ±0.005  
(UNLESS OTHERWISE SPECIFIED)

	NAME	DATE
EGN.	M.W.	11/07/16
CHK.		
A.K.		
REV.		
REV.		
REV.		

**control freak**  
**suspensions™**

1101 Oak Lane, Suite 1031  
Winter Springs, FL 32708  
(888)-325-6462

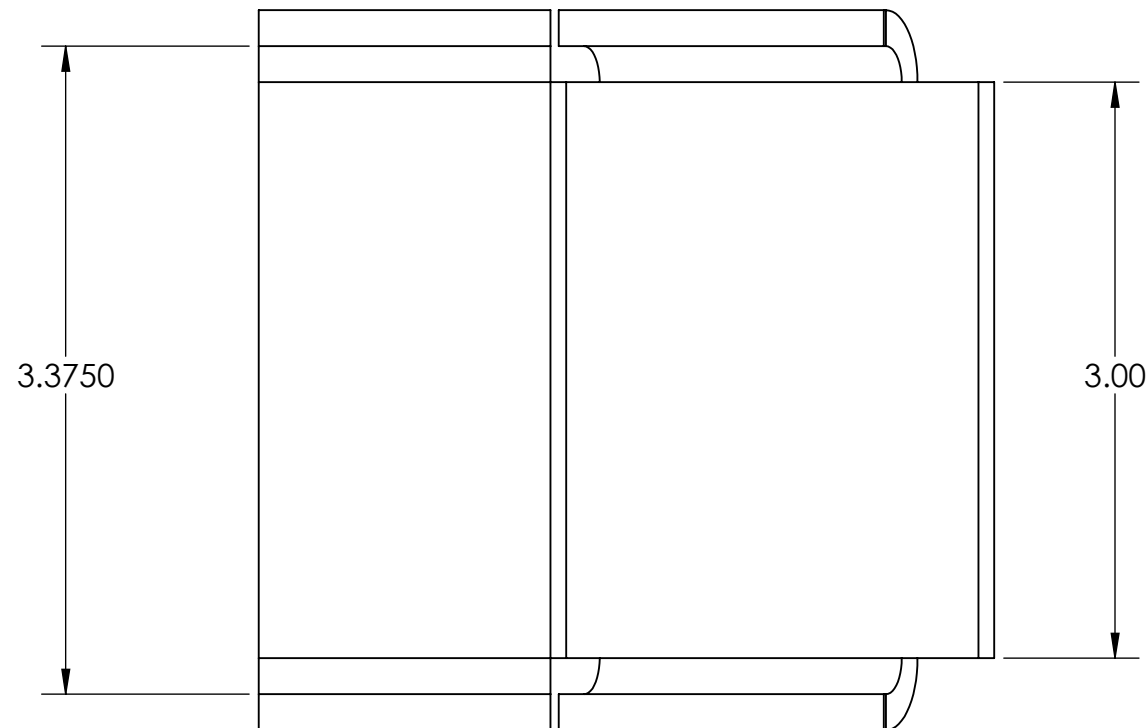
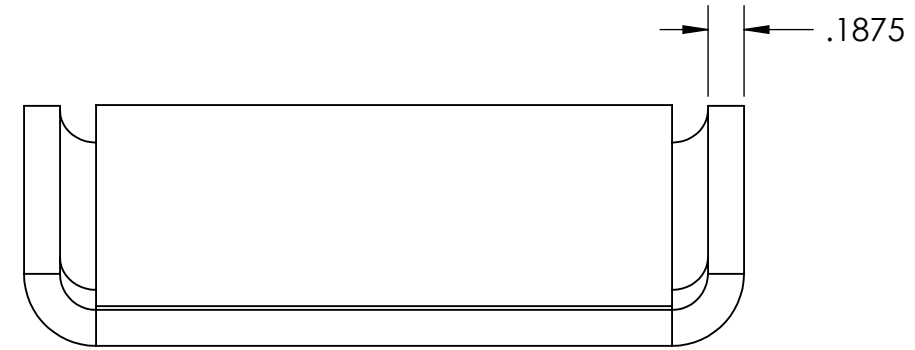
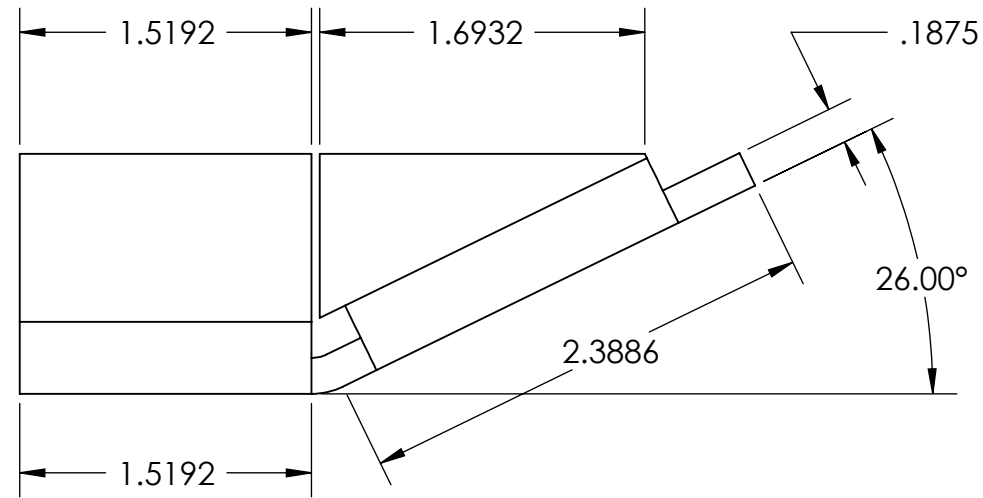
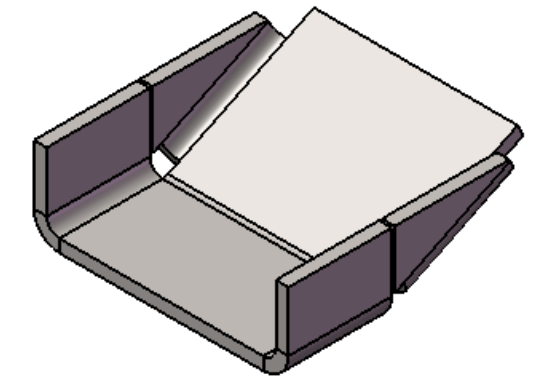
SCALE: 1:4

SHEET: 2 OF 2

**PROPRIETARY AND CONFIDENTIAL**  
THE INFORMATION CONTAINED IN THIS DRAWING IS THE SOLE PROPERTY OF BLUE MOON SERVICES, L.L.C. D/B/A CONTROL FREAK SUSPENSIONS. ANY REPRODUCTION IN PART OR AS A WHOLE WITHOUT THE WRITTEN PERMISSION OF BLUE MOON SERVICES, L.L.C IS PROHIBITED.

COMMENTS:

ITEM NUMBER	PART NUMBER	DESCRIPTION	MATERIAL
1	ACC-1801	68-74 JAVELIN 68-70 AMX 70 REBEL 70 REBEL MACHINE FRONT SUB FRAME BRACKET	MILD STEEL



DIMENSIONS ARE IN INCHES  
TOLERANCES:  
X.XX: ±0.01  
X.XXX: ±0.005  
(UNLESS OTHERWISE SPECIFIED)

COMMENTS:

	NAME	DATE
EGN.	JM	11/24/10
CHK.		
A.K.		
REV.	M.W.	10/31/16
REV.		
REV.		

**control freak**  
**suspensions™**

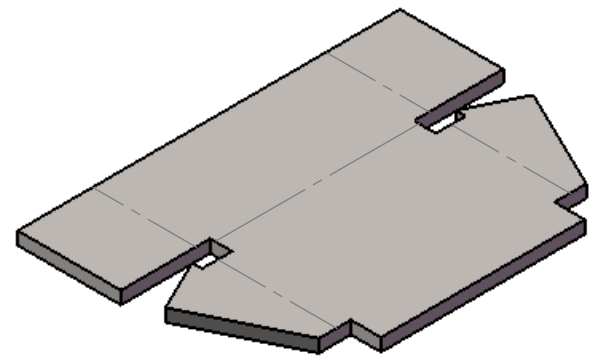
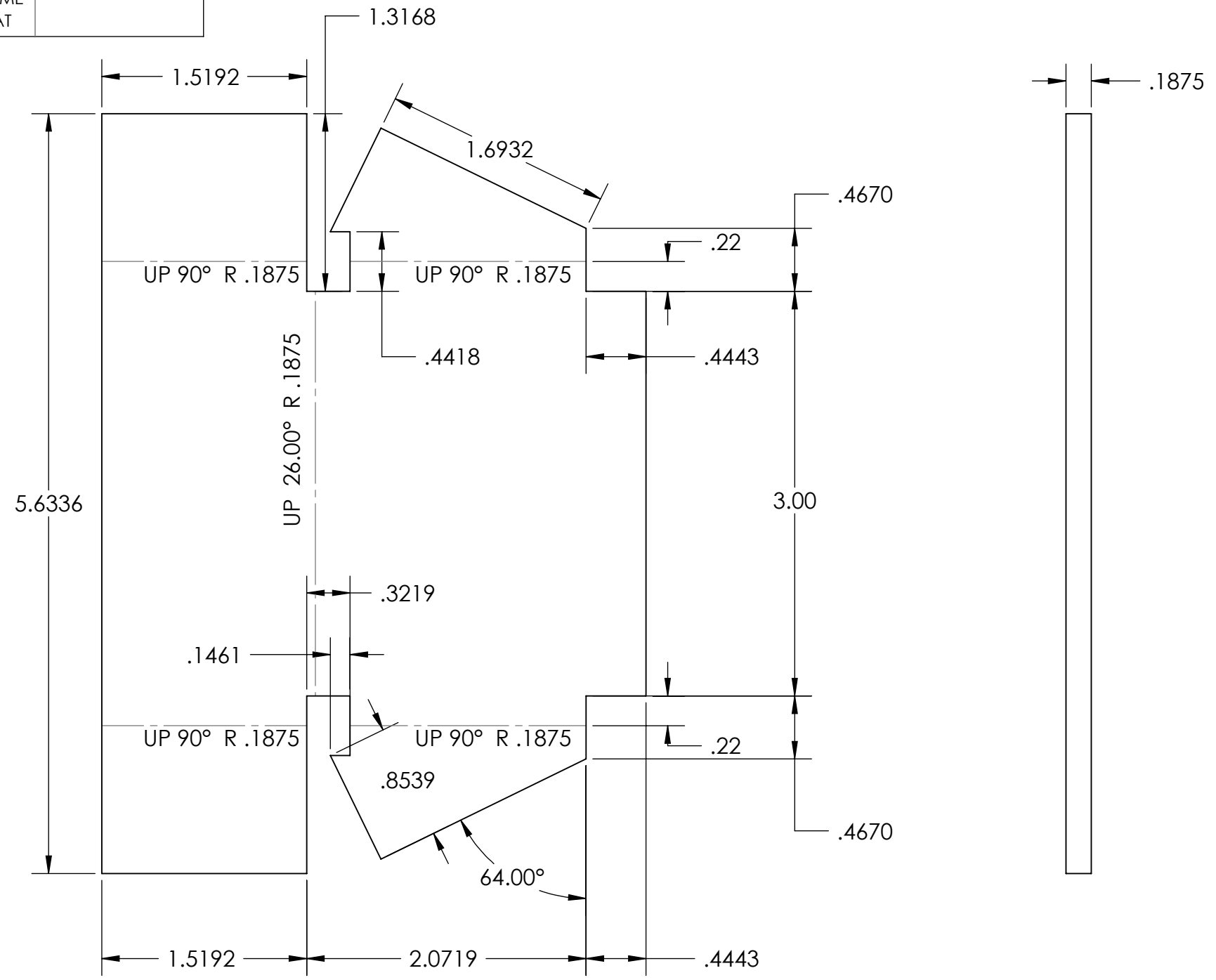
1101 Oak Lane, Suite 1031  
Winter Springs, FL 32708  
(888)-325-6462

SCALE: 1:1

SHEET: 1 OF 2

**PROPRIETARY AND CONFIDENTIAL**  
THE INFORMATION CONTAINED IN THIS DRAWING IS THE SOLE PROPERTY OF BLUE MOON SERVICES, L.L.C. D/B/A CONTROL FREAK SUSPENSIONS. ANY REPRODUCTION IN PART OR AS A WHOLE WITHOUT THE WRITTEN PERMISSION OF BLUE MOON SERVICES, L.L.C IS PROHIBITED.

ITEM NUMBER	PART NUMBER	DESCRIPTION	MATERIAL
1	ACC-1801	68-74 JAVELIN 68-70 AMX 70 REBEL 70 REBEL MACHINE FRONT SUB FRAME BRACKET - FLAT	MILD STEEL



DIMENSIONS ARE IN INCHES  
TOLERANCES:  
X.XX: ±0.01  
X.XXX: ±0.005  
(UNLESS OTHERWISE SPECIFIED)

COMMENTS:

	NAME	DATE
EGN.	JM	11/24/10
CHK.		
A.K.		
REV.	M.W.	10/31/16
REV.		
REV.		

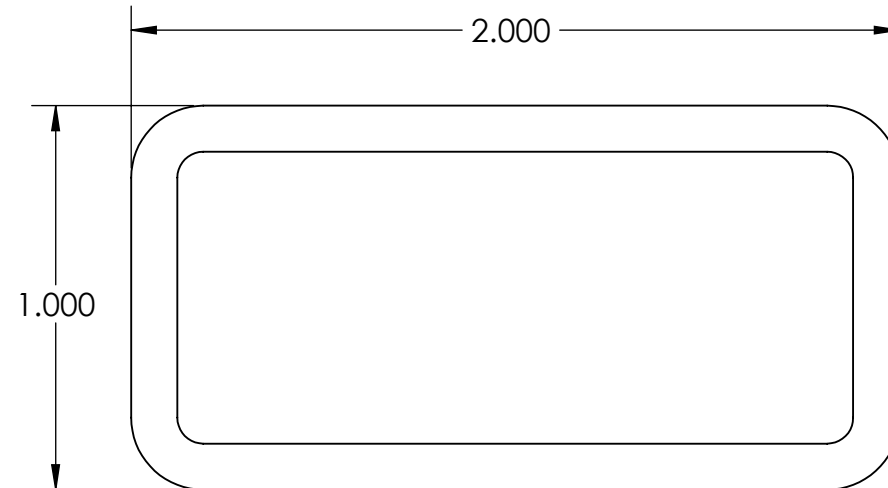
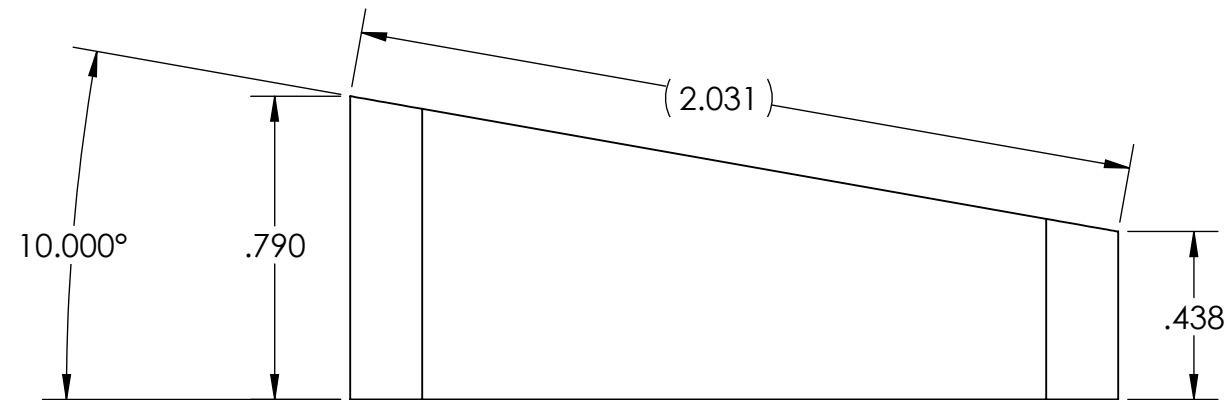
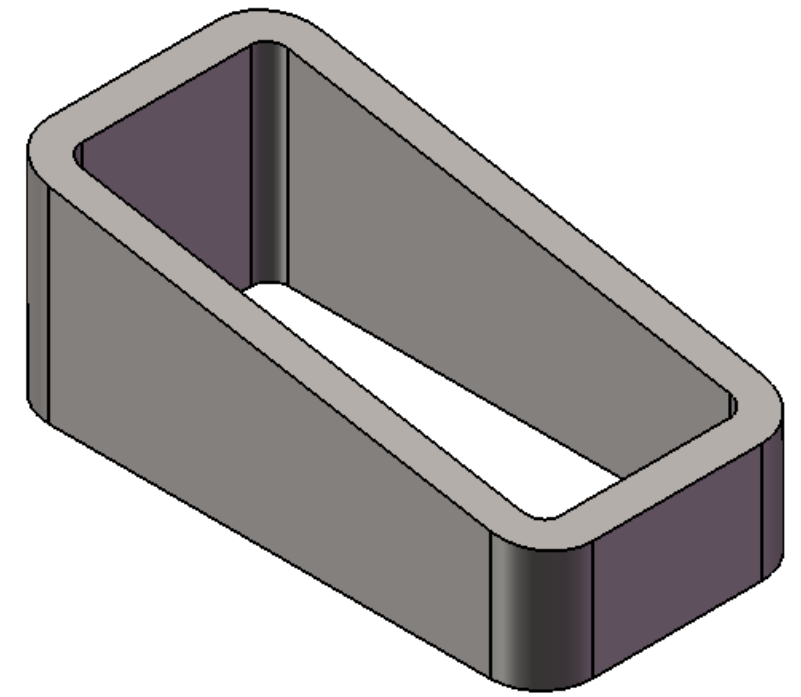
**control freak**  
**suspensions™**

1101 Oak Lane, Suite 1031  
Winter Springs, FL 32708  
(888)-325-6462

SCALE: 1:1      SHEET: 2 OF 2

**PROPRIETARY AND CONFIDENTIAL**  
THE INFORMATION CONTAINED IN THIS DRAWING IS THE SOLE PROPERTY OF BLUE MOON SERVICES, L.L.C. D/B/A CONTROL FREAK SUSPENSIONS. ANY REPRODUCTION IN PART OR AS A WHOLE WITHOUT THE WRITTEN PERMISSION OF BLUE MOON SERVICES, L.L.C IS PROHIBITED.

ITEM NUMBER	PART NUMBER	DESCRIPTION	MATERIAL
1	ACC-1837	1970 REBEL & REBEL MACHINE SUB FRAME SPACER	2 x 1 x 0.12" SQR. TUBE



DIMENSIONS ARE IN INCHES  
TOLERANCES:  
X.XX: ±0.01  
X.XXX: ±0.005  
(UNLESS OTHERWISE SPECIFIED)

	NAME	DATE
EGN.	M.W.	11/07/16
CHK.		
A.K.		
REV.		
REV.		
REV.		

**control freak**  
**suspensions™**

1101 Oak Lane, Suite 1031  
Winter Springs, FL 32708  
(888)-325-6462

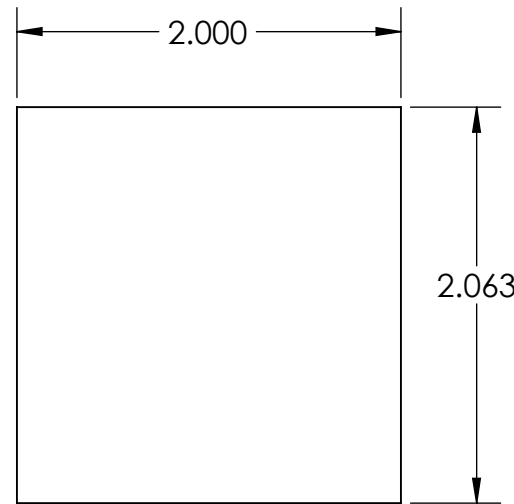
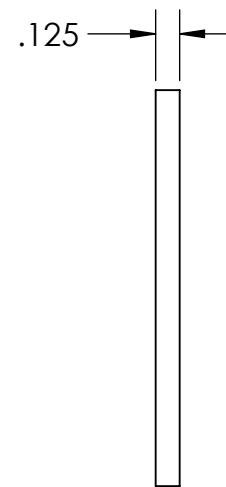
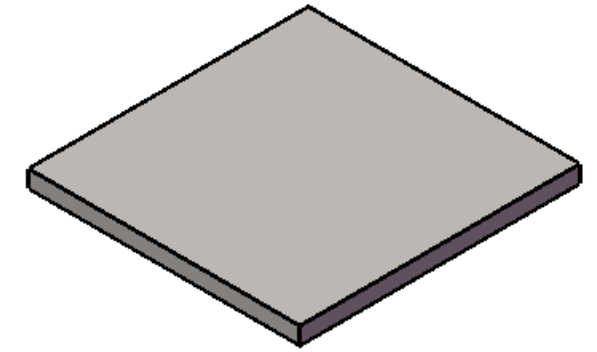
SCALE: 1:1

SHEET: 1 OF 1

**PROPRIETARY AND CONFIDENTIAL**  
THE INFORMATION CONTAINED IN THIS DRAWING IS THE SOLE PROPERTY OF BLUE MOON SERVICES, L.L.C. D/B/A CONTROL FREAK SUSPENSIONS. ANY REPRODUCTION IN PART OR AS A WHOLE WITHOUT THE WRITTEN PERMISSION OF BLUE MOON SERVICES, L.L.C IS PROHIBITED.

COMMENTS:

ITEM NUMBER	PART NUMBER	DESCRIPTION	MATERIAL
1	ACC-1838	1970 REBEL & REBEL MACHINE SUB FRAME END CAP	1/8" STEEL PLATE



DIMENSIONS ARE IN INCHES  
TOLERANCES:  
X.XX: ±0.01  
X.XXX: ±0.005  
(UNLESS OTHERWISE SPECIFIED)

	NAME	DATE
EGN.	M.W.	11/07/16
CHK.		
A.K.		
REV.		
REV.		
REV.		

**control freak**  
**suspensions™**

1101 Oak Lane, Suite 1031  
Winter Springs, FL 32708  
(888)-325-6462

SCALE: 1:1      SHEET: 1 OF 1

**PROPRIETARY AND CONFIDENTIAL**  
THE INFORMATION CONTAINED IN THIS DRAWING IS THE SOLE PROPERTY OF BLUE MOON SERVICES, L.L.C. D/B/A CONTROL FREAK SUSPENSIONS. ANY REPRODUCTION IN PART OR AS A WHOLE WITHOUT THE WRITTEN PERMISSION OF BLUE MOON SERVICES, L.L.C IS PROHIBITED.

COMMENTS: